

DOCO[®]

INTERNATIONAL

door-solutions

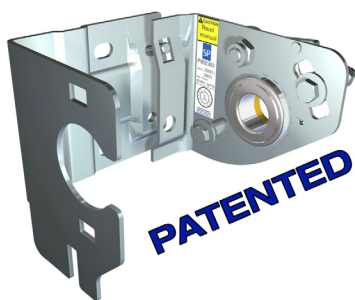
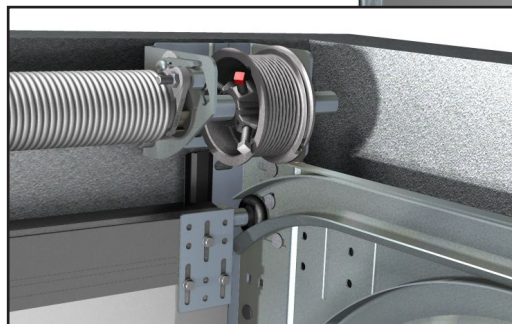


**Low headroom
system for
residential doors**

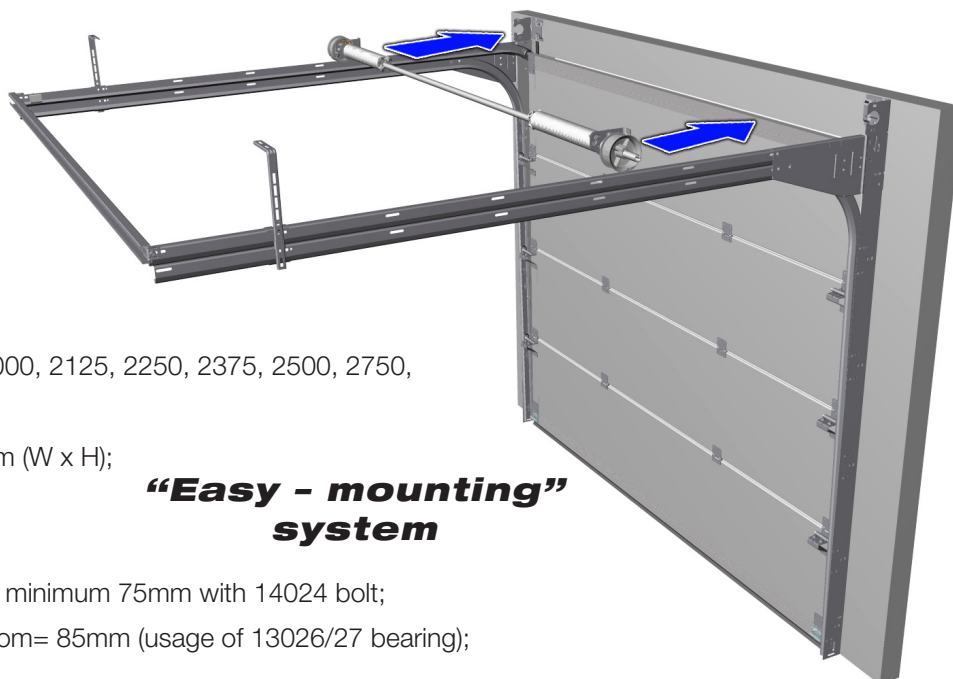
SFR200
system

SFR200 system

Doco International introduces a new Residential System; SFR200. You save time and money because of the innovative easy mount principle of the power unit. The track sets are available in a bolted and riveted version. This system is suitable for all 40mm panels. Available as pre-assembled sets or separate components. This system gives extreme lifetime performance and a stable construction.



**One person fitting using
only one 13mm tool.**

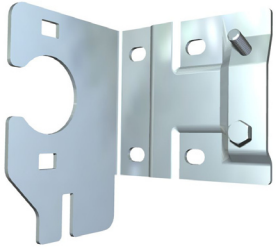


Technical information

- Torsion spring system (front);
- Seven standard heights available; 2000, 2125, 2250, 2375, 2500, 2750, 3000mm;
- Maximum door size: 5000 x 3000mm (W x H);
- Maximum door weight: 165kg;
- Headroom, 200mm;
- Sideroom for door width <3000mm, minimum 75mm with 14024 bolt;
- For doors wider > 3000mm; Side room= 85mm (usage of 13026/27 bearing);
- CE designed conform 13241-1;
- ITT approved by SP;

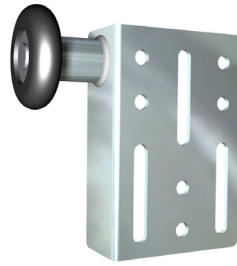
**“Easy - mounting”
system**

Additional SFR200 components:



Front bracket
13006-L/R

- 13026/27 mounting possibility
- Pre mountable on vertical angle
- Easy mounting support using 25650-L/R



Top roller carrier
25003-L/R

- With 46mm roller



Mounting plate
24622

- Bracket for rail to C-track connection



Reinforcement profile
24804

- To use with 24803

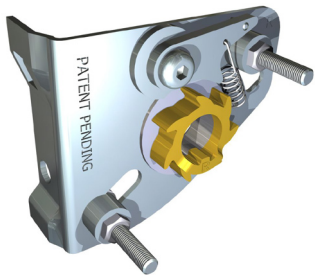


Connection bracket
24801

- To use with 24803

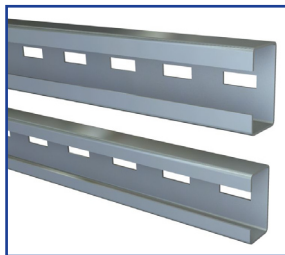


Suspension profile
24803



Spring break device
25650-L/R

- Certified for 60 Nm / spring
- Sp certificate number P902383
- Universal design for 50 and 67mm springs
- Fixed ratchet wheel on device
- Easy fitting (shape in shape)
- Easy assembly of power unit, easy mount system
- For use with 13006-L/R



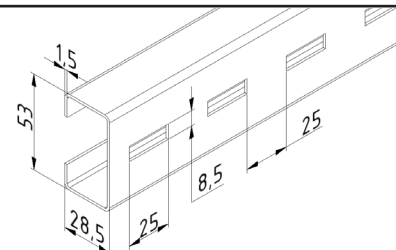
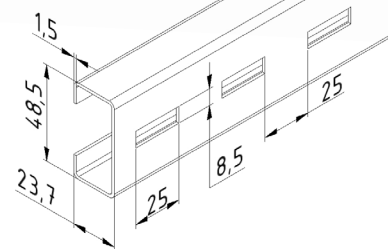
Slideable C-track

Art. nr.	Length (mm)
24810	1350
24811	3000
24812	1350
24813	3000

Notes:
With holes
With holes
Without holes
Without holes

24820	3000
24821	4500
24822	6000
24823	3000
24824	4500
24825	6000

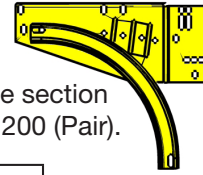
With holes
With holes
With holes
Without holes
Without holes
Without holes



Pre-assembled trackset overview for SFR 200 system.



Horizontal trackset SFR 200 (Pair).



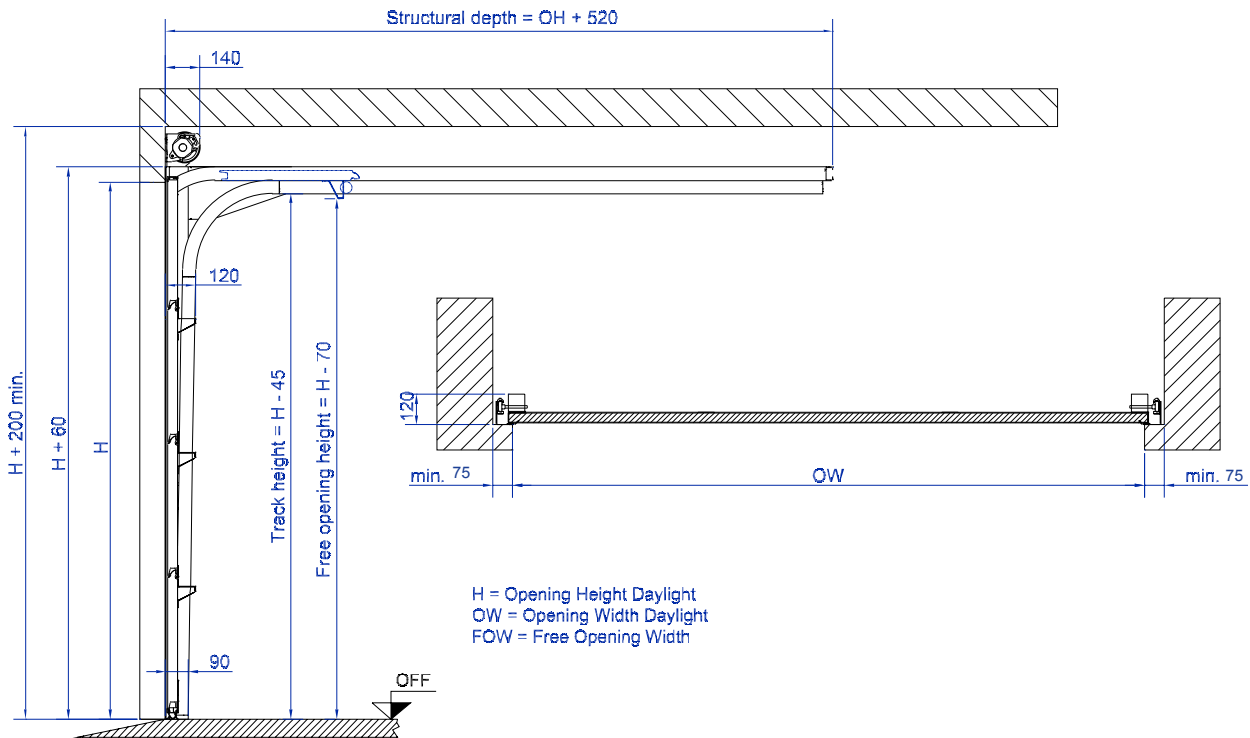
Curve section SFR 200 (Pair).



	Vertical trackset SFR200 (pair)		Horizontal trackset SFR200 (Pair)		Curve section SFR200 (pair)
	bolted version	rivet version	bolted version	rivet version	rivet version
Standard door opening height	Article	Article	Article	Article	Article
2000	45000-2000	45010-2000	45001-2000	45011-2000	45012
2125	45000-2125	45010-2125	45001-2125	45011-2125	45012
2250	45000-2250	45010-2250	45001-2250	45011-2250	45012
2375	45000-2375	45010-2375	45001-2375	45011-2375	45012
2500	45000-2500	45010-2500	45001-2500	45011-2500	45012
2750	45000-2750	45010-2750	45001-2750	45011-2750	45012
3000	45000-3000	45010-3000	45001-3000	45011-3000	45012



Vertical trackset SFR 200 (Pair).
Including weather seal



Doco International B.V.
 Nusterweg 96
 6136 KV Sittard
 P.O. Box 427
 6130 AK Sittard
 The Netherlands
 Tel: +31 (0) 464200666
 Fax: +31 (0) 464526894

Doco International Limited
 Unit 1 Northolt Trading Estate
 Belvue Road
 Northolt Middlesex
 UB5 5QS
 United Kingdom
 Tel: +44 (0) 20 8839 8587
 Fax: +44 (0) 20 8842 3661

Doco International Components
 s.l.u
 P.I. Can Met Sidro
 Avenida Generalitat, 55
 08530 La Garriga / Barcelona
 España / Spain
 Tel: +34 9 3 861 28 25
 Fax: +34 9 3 871 65 92

Doco International s.r.o.
 Prostějov - Kralice na Hané
 Háj 352
 798 12 Kralice na Hané
 Czech Republic
 Tel: +420 582 360 100
 Fax: +420 582 360 300